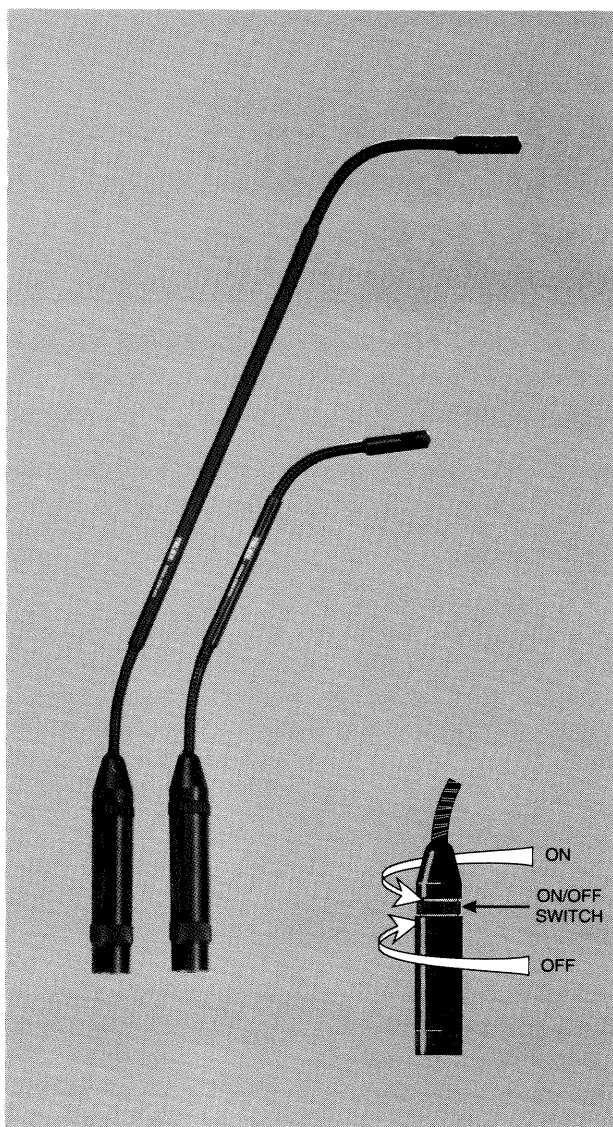


EGM-40Q & EGM-41Q Quick-Mount Gooseneck Microphones

General Description

The EGM-40Q 19" (48.3 cm) and EGM-41Q 12" (30.5 cm) quick-mount electret cardioid microphones are ideally suited for high-quality sound reinforcement, professional recording, and public address applications. The cardioid response makes them particularly beneficial when background noise is a problem. Both microphones feature a quick-mount XLR-3M connector, and can be plugged directly into any standard 3-pin panel jack or microphone cable that provides phantom power.



Design Features

- Utilizes a special, low-mass diaphragm for excellent frequency and transient response with low distortion.
- A mic-shorting switch lets you turn the microphone on or off without pops or clicks.
- Requires phantom power; may be powered from any 9-52 vdc phantom power source.
- Rugged construction for long life.
- Non-reflective black finish.

Specifications

Microphone Element

Low-mass electret condenser

Polar Pattern

Cardioid (unidirectional)

Frequency Response

20-20,000 Hz

Output Impedance

150-200 ohms (low), balanced

Dynamic Range

Greater than 110 dB

Maximum Input SPL (1 kHz, 1% THD)

130 dB

Output Level (re: open circuit at 1 kHz, 1V/ μ bar)

-72 dB

Signal-to-Noise Ratio (re: 1 Pa)

Greater than 67 dB at 1 kHz

Switching

Mic shorting on-off switch

Power Requirements

9-52 vdc, 5.0 mA (phantom)

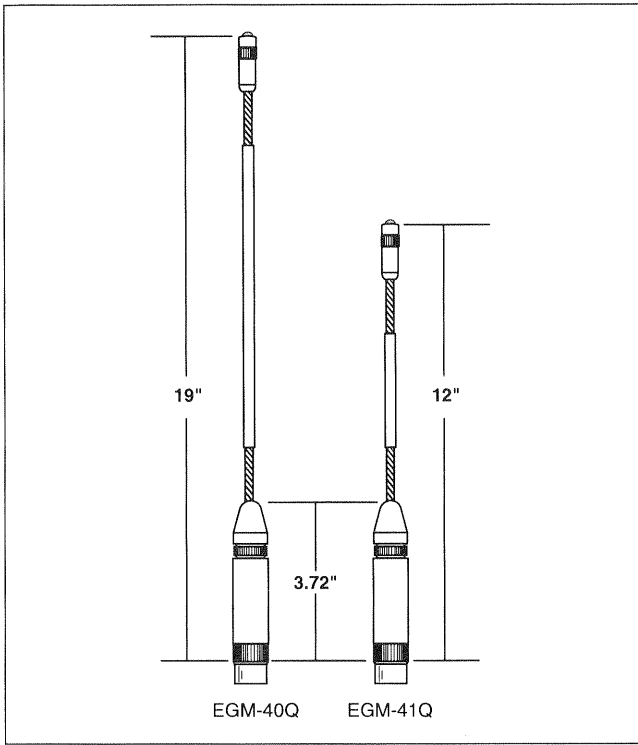
Connector

XLR-3M type, phased

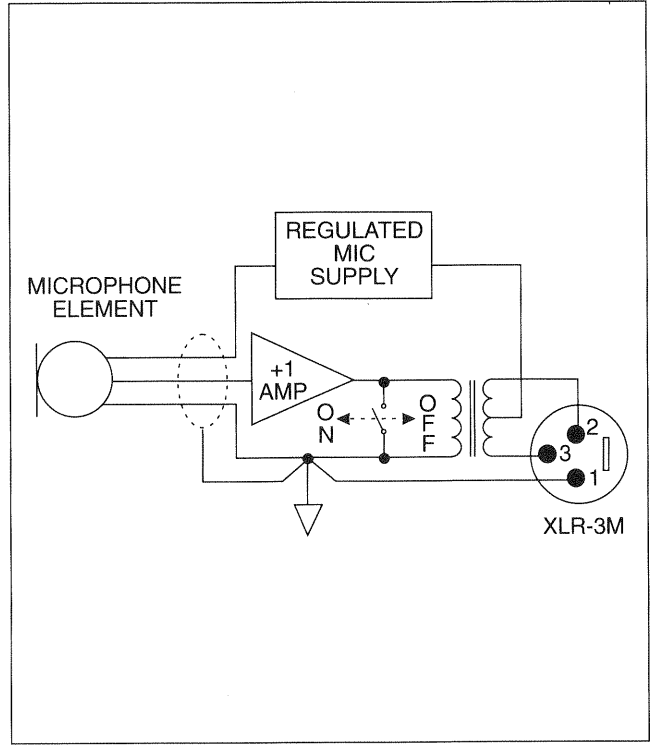
© Telex Communications, Inc.: January 1992

TELEX®

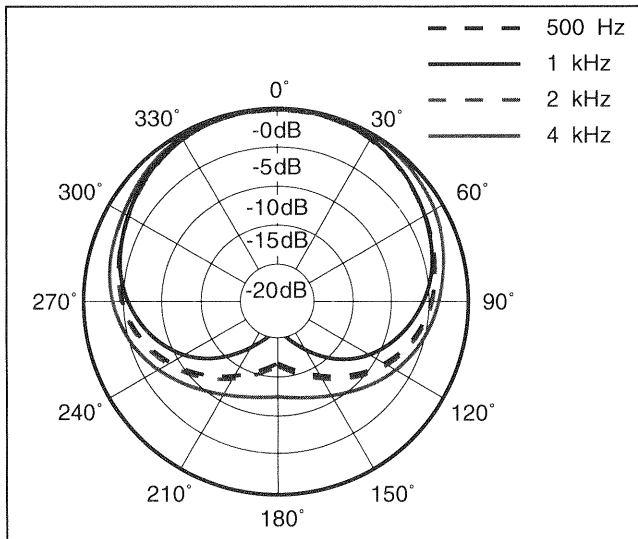
Specifications subject to change without notice.



Dimensional Drawing



Wiring Diagram



Polar Response

Architect's and Engineer's Specifications

The Telex Model EGM-40Q/EGM-41Q shall be a quick-mountable, electret cardioid gooseneck microphone. The EGM-40Q shall be 19" (48.3 cm) long; the EGM-41Q shall be 12" (30.5 cm) long. The microphone shall have an integral phantom-power interface, and an XLR-3M connector at the base. It shall plug directly into any standard 3-pin panel jack or microphone cable that provides phantom power. The microphone shall have a frequency response of 20-20,000 Hz, and shall provide a balanced, low-impedance output (150-200 ohms). Output level shall be -65 dB at 1 kHz (re: 1V/ μ bar). The microphone shall have a mic-shorting switch to turn the microphone on or off without pops or clicks. All exterior surfaces shall have a non-reflective black finish. The microphone shall be provided with a removable windscreen.

Ordering Information

Model EGM-40Q , 19" (48.3 cm) Quick-Mount Cardioid Condenser Gooseneck Microphone	300033-000
Model EGM-41Q , 12" (30.5 cm) Quick-Mount Cardioid Condenser Gooseneck Microphone	300033-001
Replacement Windscreen	700054-000

