

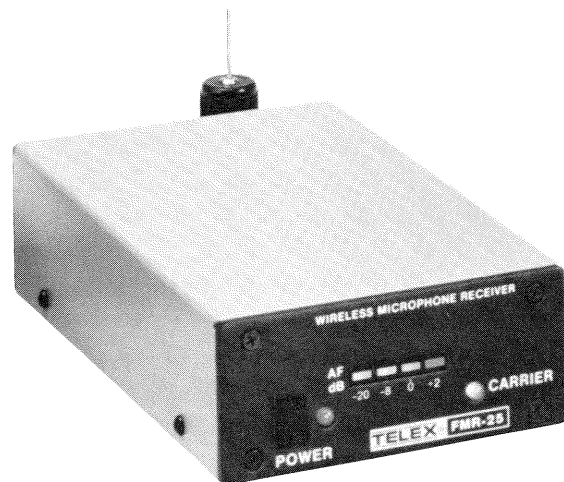
TELEX COMMUNICATIONS, INC.  
9600 Aldrich Ave. So., Minneapolis, MN 55420 U.S.A.

## MODEL FMR-25 WIRELESS RECEIVER

### GENERAL DESCRIPTION

The Telex Model FMR-25 Wireless Microphone Receiver used with a Telex Belt-Pack or Handheld Transmitter is designed for use in theatres, auditoriums, houses of worship, and live sound reinforcement applications. The single-channel FM receiver operates on selected VHF frequencies from 165-185 MHz. Four stock frequencies are available for immediate delivery, and at least four systems can be used simultaneously on separate channels.

The FMR-25 may be powered from either 115 Vac, 50/60 Hz or 13.6 Vac/Vdc. The unit is rack-mountable, and up to four units may be mounted in only one rack space.



### SPECIFICATIONS

**Frequency Response:** 85 Hz to 15 kHz  $\pm 3$  dB

**Squelch Quieting:** 65 dB (71 dB with 400 Hz filter)

**Squelch Level:** 1  $\mu$ V, internally adjustable

**Signal-To-Noise Ratio:** 90 dB typical (96 dB A weighted)

**Antenna Impedance:** 50 ohms nominal

**Power:** 115 Vac, 50/60 Hz, 3 watts, or 13.6 Vac/Vdc

**Temperature Range:** 0° F to 130° F  
(-18° C to 55° C)

**Weight:** 13 $\frac{3}{4}$  oz (390 g)

**RF Sensitivity:** Less than 0.7  $\mu$ V (12 dB SINAD)

**Ultimate Quieting:** 92 dB (99 dB with 400 Hz filter)

**Image Rejection:** 78 dB

**Antenna:**  $\frac{1}{4}$ -wave spring steel whip

**Dimensions:** 4 in. W x 1 $\frac{3}{4}$  in. H x 7 in. D  
(102 mm x 44 mm x 178 mm)

**Audio Output:** Line level into 600 ohms

### DESIGN FEATURES

The chassis and cover are painted steel which provides 100% shielding. Circuit boards are 0.062-inch (1.57 mm) thick, glass-epoxy composition. The receiver features a high-quality compander in the audio section for noise reduction and expanded dynamic range of the signal. The antenna is removable for ease in rack mounting. The power supply is a wall type, UL and CSA listed design, with a heavy-duty strain relief.

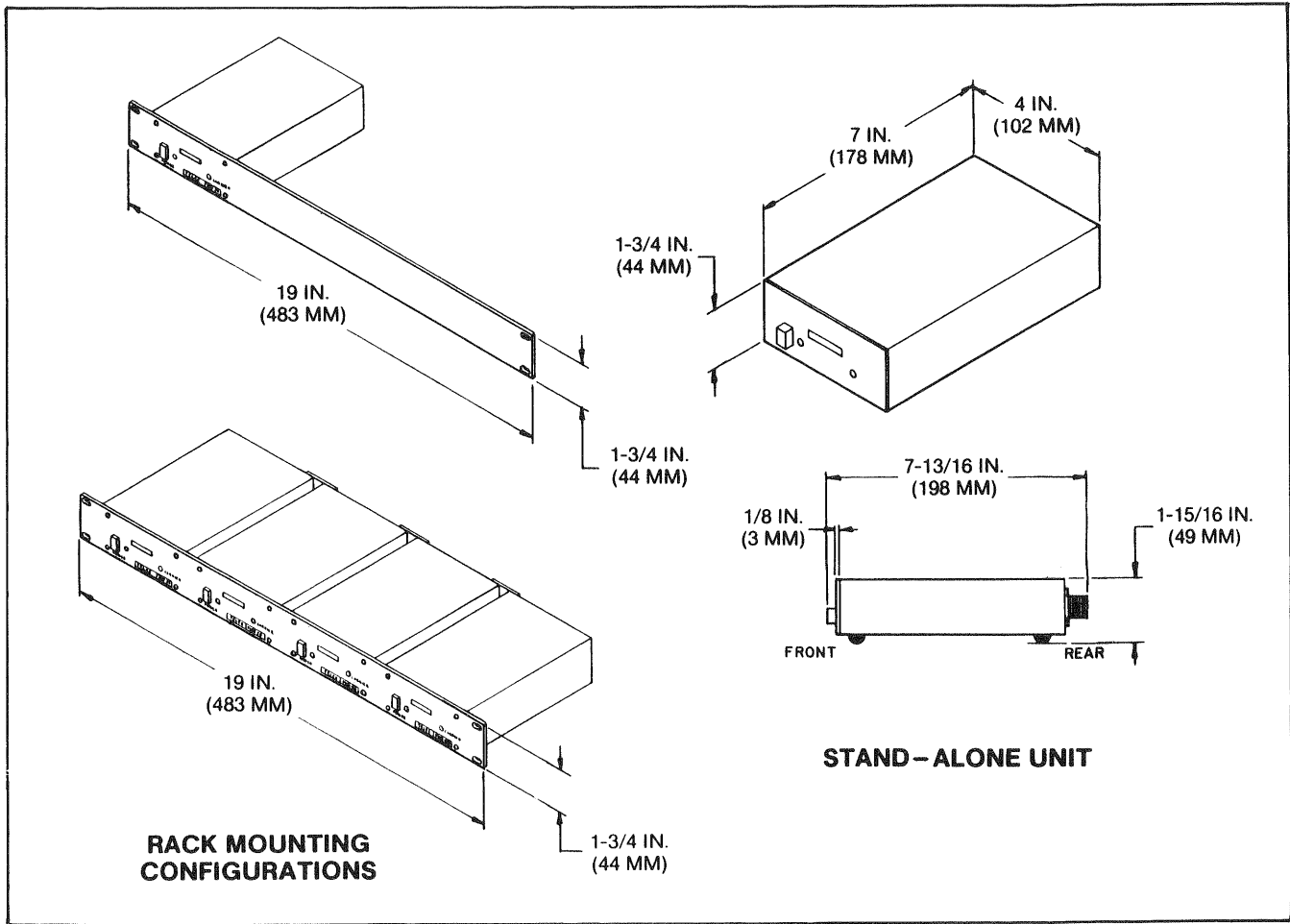
### OPERATING FEATURES

The front panel has a five-segment multi-color LED display for peak AF level and a LED for carrier indication. There is a two-position, push-type ON/OFF switch with an LED ON indicator. The rear panel has a PL-259 (UHF type) antenna connector for the supplied  $\frac{1}{4}$ -wave spring steel antenna. The audio output is line level, with a standard  $\frac{1}{4}$ -inch (6.35 mm) jack. There is a 2.0 mm remote power jack on the rear panel that will accept between 12 to 14 Vac/Vdc. All control designations are clearly silk-screened on the unit.

TELEX®

MODEL FMR-25  
WIRELESS RECEIVER

## DIMENSIONS



## ARCHITECTS AND ENGINEERS SPECIFICATIONS

The Telex Model FMR-25 Wireless Microphone Receiver shall be a single-channel, crystal-controlled device, operating on selected frequencies from 165-185 MHz. The Receiver shall have a highly selective IF section and allow for at least four simultaneous systems on separate channels. The Receiver shall incorporate a compander system to assure maximum dynamic range and noise reduction. The Receiver shall be powered either by 115 Vac, 50/60 Hz, or 13.6 Vac/Vdc and a 240 Vac version shall be available for overseas operation. The Receiver shall be rack-mountable in one rack space. The Receiver shall have an all-metal enclosure measuring 4 inches

wide by 1 $\frac{3}{4}$  inches high by 7 inches deep (102 mm x 44 mm x 178 mm). The Receiver shall use a  $\frac{1}{4}$ -wave removable antenna and remote  $\frac{5}{8}$ -wave antennas with PL-259 (UHF type) connectors will be available as an option for rack-mount systems. The Receiver shall incorporate a five-segment LED bar graph display for AF level and a LED for carrier indication. The Receiver shall provide a microphone level output through a female  $\frac{1}{4}$ -inch connector. The Receiver shall be certified under FCC rules, Part 15, and DOC certified under RSP 121. The Receiver shall be a Telex Model FMR-25 Wireless Receiver.

## ORDERING INFORMATION

Telex Model FMR-25 Wireless Microphone Receiver ..... Catalog No. 70736-XXX