

TELEX COMMUNICATIONS, INC.  
9600 Aldrich Ave. So., Minneapolis, MN 55420 U.S.A.

## MODEL FMR-25TD WIRELESS RECEIVER

### GENERAL DESCRIPTION

The Telex Model FMR-25TD True Diversity Wireless Microphone Receiver, used with a Telex Belt-Pack or Handheld Transmitter, is designed for use in theatres, auditoriums, houses of worship, and live sound reinforcement applications. The single-channel Pos-i-Phase™ True Diversity FM Receiver operates on selected VHF frequencies from 165-185 MHz. Ten stock frequencies are available for immediate delivery, and at least four systems can be used simultaneously on separate channels.

The FMR-25TD may be powered from either 115 Vac, 50/60 Hz or 13.6 Vac/Vdc. The unit is rack-mountable, and up to four units may be mounted in only one rack space.

### DESIGN FEATURES

The chassis and cover are painted steel which provides 100% shielding. Circuit boards are 0.062-inch (1.57 mm) thick, glass-epoxy composition. The Receiver features a compander in the audio section for noise reduction and expanded dynamic range of the signal. The Receiver incorporates patented\* Pos-i-Phase diversity circuitry which eliminates dropouts from signal cancellation. The antennas are removable for ease in rack mounting. The power supply is a wall type, UL and CSA listed design, with a heavy-duty strain relief.

### OPERATING FEATURES

The front panel has a four-segment multi-color LED display for peak AF level and an LED for carrier indication. There is a two-position, push-type, power on/off switch with an LED indicator. The rear panel has two PL-259 (UHF type) antenna connectors for the supplied ¼-wave spring steel antennas. The audio output is line level, with a standard ¼-inch (6.35 mm) jack. There is a 2.0 mm remote power jack on the rear panel that will accept between 12.5 to 14 Vac/Vdc. All control designations are clearly silk-screened on the unit.

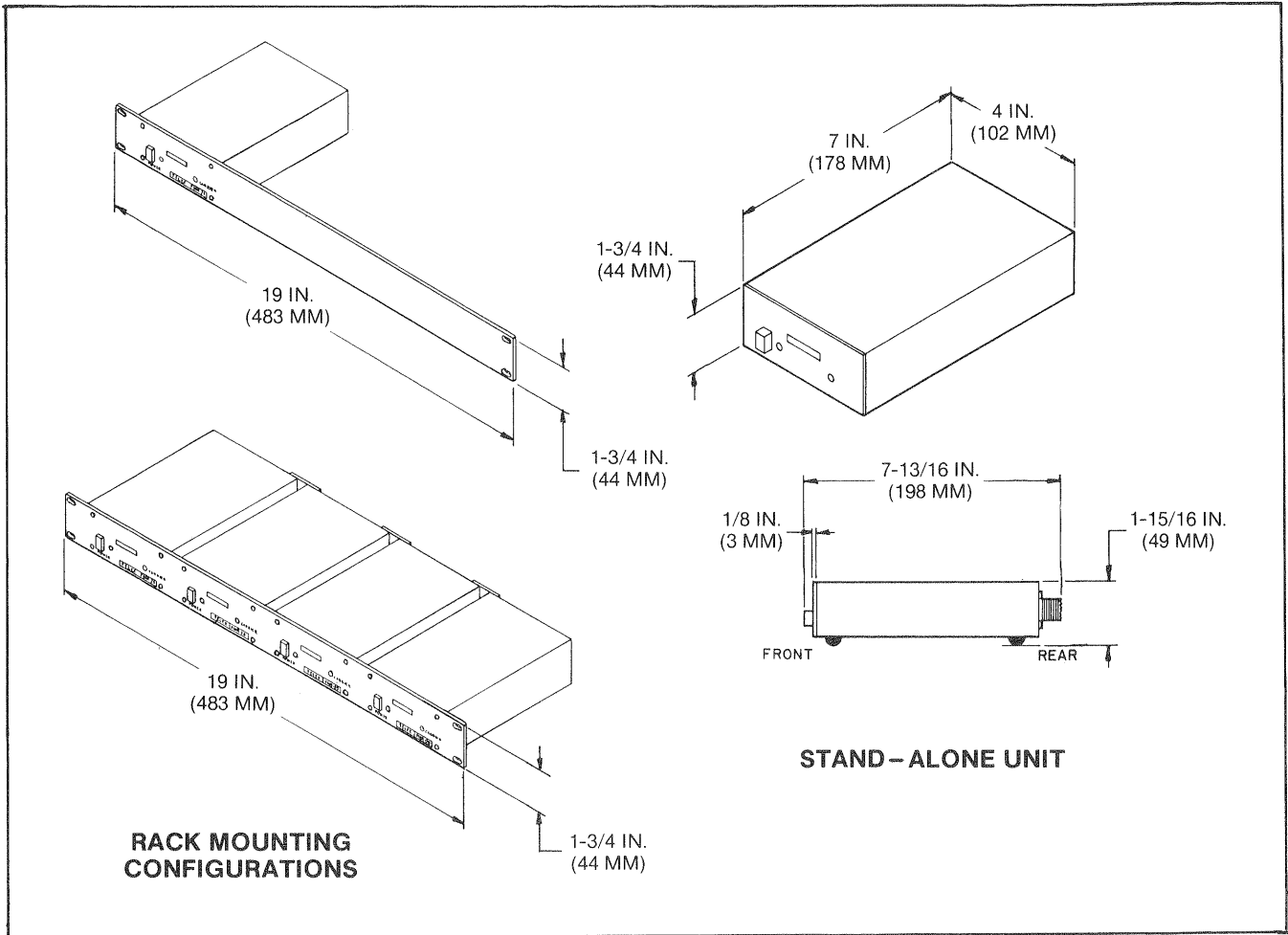
\* Patent No. 4,293,955



### SPECIFICATIONS

- Frequency Response:** 85 Hz to 15 kHz  $\pm$ 3 dB
- Squelch Quieting:** 65 dB (71 dB with 400 Hz filter)
- Squelch Level:** 1  $\mu$ V, internally adjustable
- Signal-To-Noise Ratio:** 90 dB typical (96 dB A weighted)
- Antenna Impedance:** 50 ohms nominal
- Power:** 115 Vac, 50/60 Hz, 3 watts, or 13.6 Vac/Vdc
- Temperature Range:** 0° F to 130° F  
(-18° C to 55° C)
- Weight:** 13¼ oz (390 g)
- RF Sensitivity:** Less than 0.7  $\mu$ V (12 dB SINAD)
- Ultimate Quieting:** 96 dB
- Image Rejection:** 78 dB
- Antenna:** ¼-wave spring steel whip
- Dimensions:** 4 in. W x 1¾ in. H x 7 in. D  
(102 mm x 44 mm x 178 mm)
- Audio Output:** 300 mV into 600 ohms

## DIMENSIONS



## ARCHITECT'S AND ENGINEER'S SPECIFICATIONS

The Telex Model FMR-25TD Wireless Microphone Receiver shall be a single-channel, crystal-controlled device, operating on selected frequencies from 165-185 MHz. The Receiver shall incorporate Pos-i-Phase™ diversity circuitry to eliminate phase cancellation and dropouts. The Receiver shall have a highly selective IF section and allow for at least four simultaneous systems on separate channels. The Receiver shall incorporate a compander system to assure maximum dynamic range and noise reduction. The Receiver shall be powered either by 115 Vac, 50/60 Hz, or 13.6 Vac/Vdc, and a 240 Vac version shall be available for overseas operation. The Receiver shall be rack-mountable in one rack space.

The Receiver shall have an all-metal enclosure measuring 4 inches wide by 1 ¼ inches high by 7 inches deep (102 mm x 44 mm x 178 mm). The Receiver shall use ¼-wave removable antennas, and remote ⅝-wave antennas with PL-259 (UHF type) connectors will be available as an option for rack-mount systems. The Receiver shall incorporate a four-segment LED bar graph display for AF level and an LED for carrier indication. The Receiver shall provide a microphone-level output through a female ¼-inch connector. The Receiver shall be certified under FCC rules, Part 15, and DOC certified under RSP 121. The Receiver shall be a Telex Model FMR-25TD Wireless Receiver.

## ORDERING INFORMATION

Telex Model FMR-25TD Wireless Microphone Receiver ..... Catalog No. 70737-XXX