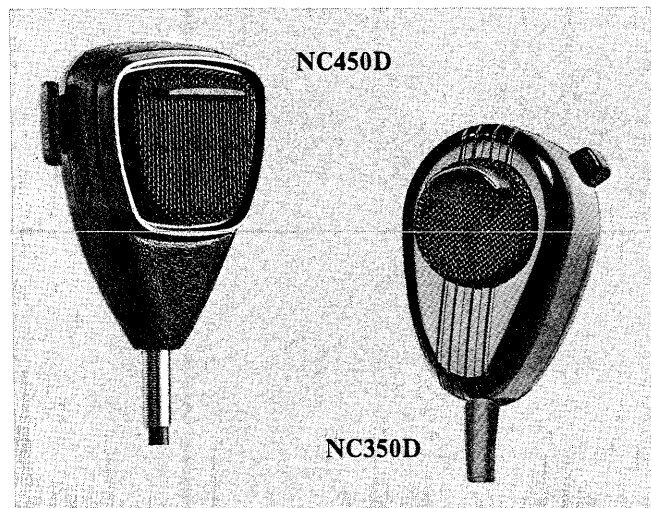


NC350D/NC450D Dynamic Microphones



General Description

The Telex Models NC-350D/NC450D Dynamic Microphones are designed for voice paging applications requiring a rugged, hand-held microphone. Their noise-canceling design makes them particularly effective for use in noisy locations, and their excellent voice response characteristics make them a good choice in quiet areas as well.

Design Features

Both NC350D/NC450D microphones contain a dynamic, differential type cartridge which discriminates and cancels distant sounds and noise in favor of voice inputs spoken close to the microphone. (The NC450D is further enhanced by shock-mounting the cartridge.) Output impedance is 200 ohms for matching low impedance input circuits. A push-to-talk switch is located on the microphone housing. The black microphone housings are constructed of molded ABS plastic, which will withstand the day-to-day abuse of hand-held mobile microphone applications. A soft rubber lip guard assures the user of correct microphone-to-mouth positioning.

NOTE

Always talk close to the microphone, with the edge of the lip guard just touching the upper lip. This is important because the noise-canceling feature accepts close sounds best and discriminates against sounds greater than 1/2-inch (12 mm) away.

The units are equipped with an unterminated black neoprene coil cord which is relieved at the housing by a spring-type strain relief (NC450D) or rubber grommet (NC350D). In addition, the microphones are equipped with a hanger button, and supplied with standard dashboard mounting bracket and hardware.

Specifications

Type: Noise-canceling dynamic

Response: 100 Hz to 8 kHz

Output Level at 1 kHz

Open Circuit: -85 dB (ref: 0 dB = 1 V/ μ bar)

Power Level: -64 dB (ref: 0 dB = 1 mW/10 μ bar)

Impedance: 200 ohms

Switch: Two-position momentary slide. Normally open microphone contacts

Cable: Four-conductor, two-shielded, black neoprene, coiled cord. 12 inches (304 mm) retracted, 6 feet (1.8 m) extended

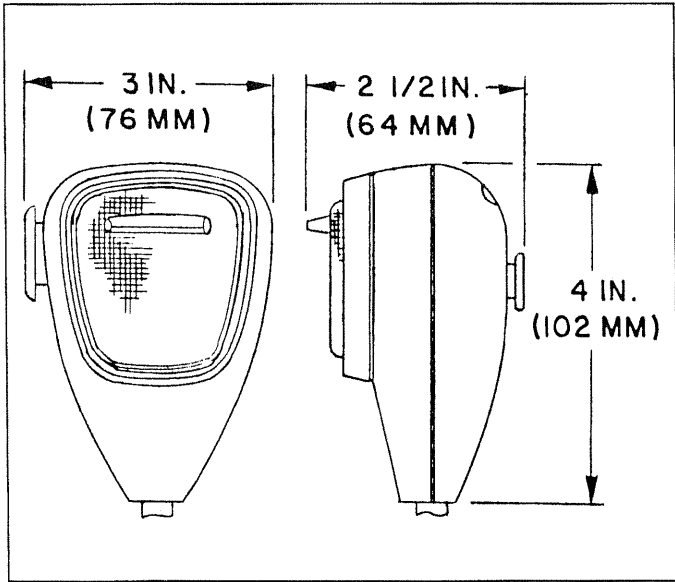
Color: Black

Weight: 9 ounces (225 g)

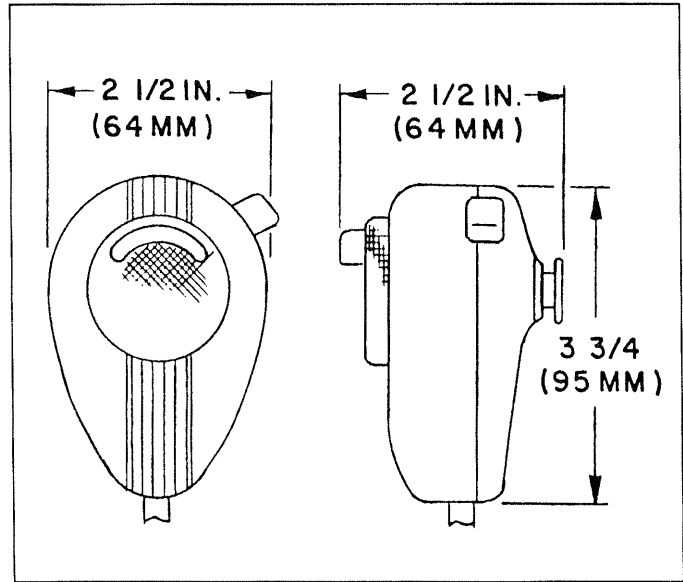
Hanger: Nickel-plated spring steel

© Telex Communications, Inc.: April 1982

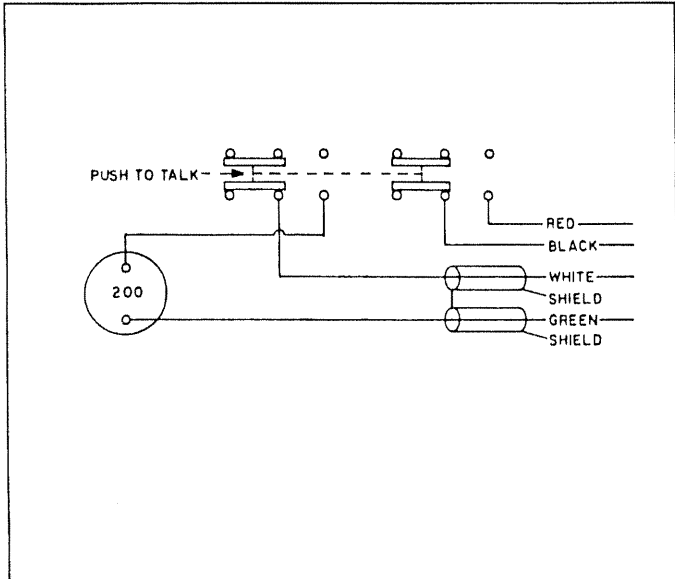
TELEX®



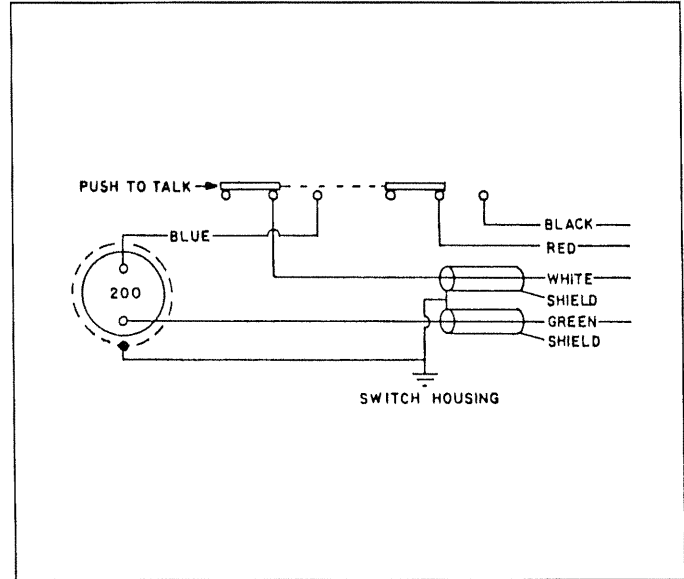
NC450D Outline



NC350D Outline



NC450D Wiring Diagram



NC350D Wiring Diagram

Ordering Information

Model NC450D Dynamic Microphone	Catalog No. 47005
Model NC350D Dynamic Microphone	Catalog No. 04303
Replacement Hanger with Hardware	Catalog No. 02506

